

SAGOLA 
an Elcometer company

DESIGN

ROBUSTNESS

ADVANTAGES

ERGONOMICS

**NEW
GENERATION**

COMMITMENT

TECHNOLOGY

SOLUTIONS

INNOVATION

EVOLUTION

WARRANTY

QUALITY

BRAND



4100
XTREME CERAMIC

*Innovation, functionality
and performance.*

NEW 4100 XTREME CERAMIC


SAGOLA presents its new spray gun where is the result of a great design work, ergonomics, sturdiness and quality.

A **perfect fusion** between speed and high transfer with quality finishes of XTREME aerographic systems.

Designed to last over time thanks to its robustness and quality of its components. To this we add its manageability and softness that makes it the ideal pressure spray gun for **difficult jobs**, de **high microns**, **high-speed** application and **complicated and highly abrasive** products.

In the **ceramic** applications, we provide the maximum resistance. And in **vitroc ceramic**, we can achieve the highest degree of refinement and finishing quality.

TECHNICAL DATA

- Weight: 537 g. (1.18 lbs)
- Dimensions: 19 x 18 x 4.2 cm. (0.75 x 0,71 x 0.17")
- Air inlet connector: BSP 1/4" Male.
- Product inlet connector: BSP 3/8" Male.
- Maximum air pressure: 8 bar (116 psi)
- Maximum recommended air pressure: 4.5 bar (65 psi)
- Materials in contact with product: INOX, POM, Teflón, Nylon and Tungsten carbide.
- ATEX  II 2 GX



APPLICATIONS

- TOILETTES
- ROOF TILES
- KITCHEN EQUIPMENT
- PLATES
- TILES
- ENGOBE
- CERAMIC ENAMELS
- VITRIFIED ENAMELS
- STRUCTURAL ANTICORROSIVE TREATMENT Zinc Silicates










Quality finishes over large surface areas

FUNCTIONAL ADVANTAGES

- NEW design with EXTREME ergonomic level.
- **Forged and anodized body**, providing great robustness and protection to corrosion both external and internally.
- The external **cleaning** of the gun are minimized by its **polished shine**.
- Easily and smoothly to use.
- **METAL TO METAL** technology, where all sealings are free of joints.
- Air - paint single shaft design.
- Minimum number of spare parts.



VERSIONS/MANUAL APPLICATION

	SUPERFINE FINISHES	COLOUR FINISHES HIGH PRODUCTION	SMALL PIECE HIGH PRODUCTION	MEDIAN PIECE HIGH PRODUCTION	BIG PIECE HIGH PRODUCTION HIGH MICRONS	GUN CODES
 1.4 Aircap 78	Fan size* 350 mm. Air consumption 330 L/min					10152130
 1.4 Aircap XT03	Fan size* 310 mm. Air consumption 495 L/min					10152131
 1.8 Aircap 67		Fan size* 290 mm. Air consumption 330 L/min				10152132
 2.2 Aircap 64			Fan size* 280 mm. Air consumption 325 L/min			10152133
 2.5 Aircap 64				Fan size* 260 mm. Air consumption 285 L/min		10152134
 2.8 Aircap 62					Fan size* 260 mm. Air consumption 370 L/min	10152135
 2.8 Aircap 63C					ROUND fan* 250 mm. Air consumption 420 L/min	10152136

* Depends on application conditions (hydraulic pressure, fluid viscosity, length and diameter of fluid hose, air spraying pressure...).

TECHNICAL ASPECTS THAT DIFFER OF ALL OTHER

PACKING-GLAND self-adjusting of high durability. **STAINLESS STEEL** body quick change version.

NOZZLE with closer in **TUNGSTEN CARBIDE** (maximum hardness level) and body in **STAINLESS STEEL**.

NEEDLE 100% **TUNGSTEN CARBIDE** (maximum hardness level) eliminating premature wear in packing-gland and trigger zone.

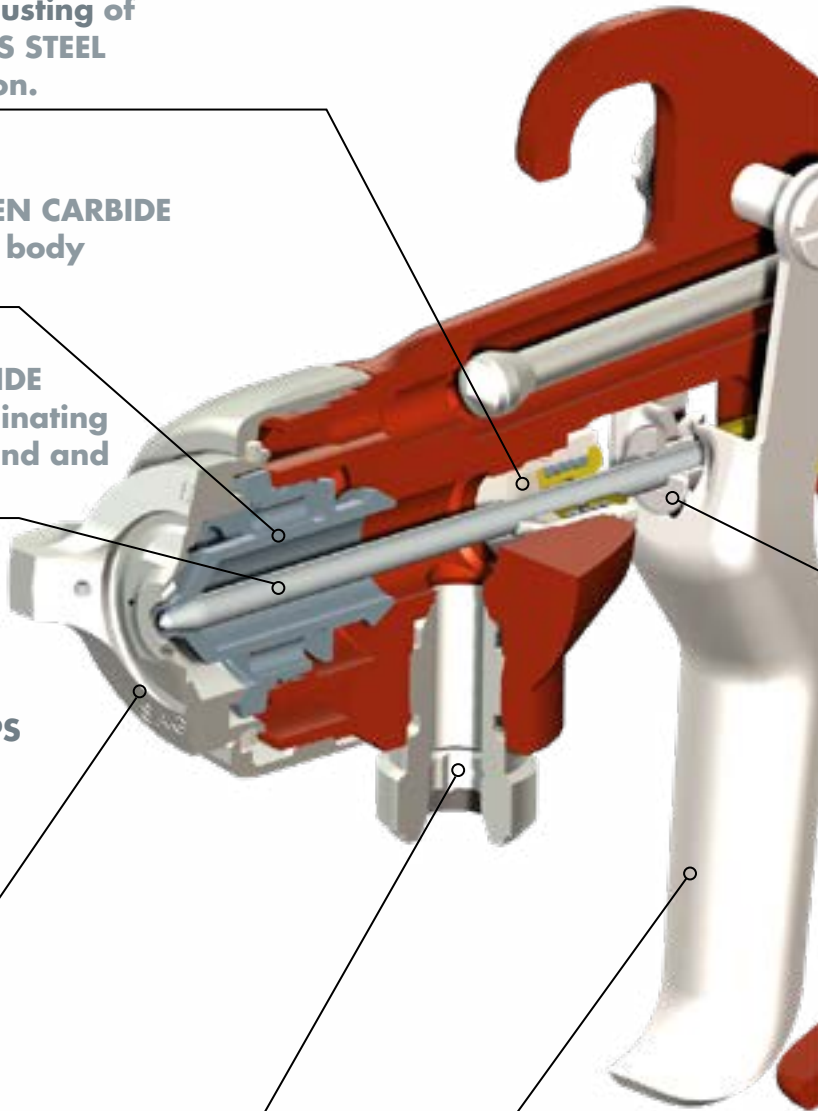
ANODISED ALUMINIUM AIRCAPS (corrosion free) of **HIGH STRENGTH** and **DURABILITY**. Ideal for aggressive environments.

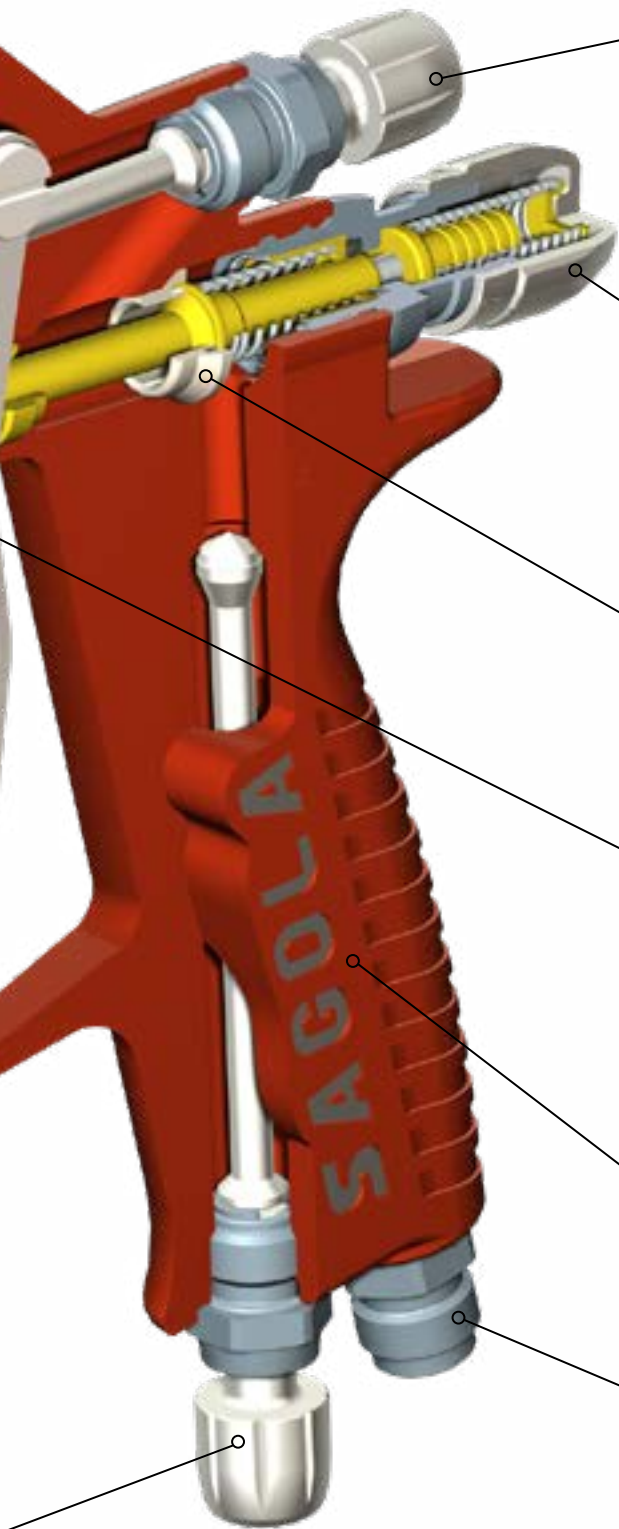
PRODUCT INLET 3/8" made in **STAINLESS STEEL**

TRIGGER and **AXLE** 100% made in **STAINLESS STEEL** (Ultra-ergonomic design)

**EXTERIOR AND INTERIOR
CORROSIVE
PROTECTION
EN ALL PARTS
OF GUN**

AIR INLET REGULATOR
Ideal for **QUICK ADJUSTMENT**





high precision **PROGRESSIVE FAN REGULATOR**

PRODUCT REGULATOR
High sensitivity in the adjustment of the amount of material to be sprayed

HIGH FLOW AIR VALVE "SOFT FLOW"
Ideal for work at high pressures

Reinforced **REEL** in **STAINLESS STEEL**.
Very **HIGH RESISTANCE** against mechanical abrasion

ERGONOMIC design body. Reducing operator fatigue

STAINLESS STEEL AIR INLET 1/4"

KEY FEATURES AND BENEFITS/GUARANTEE

47100 XTREME CERAMIC

SAGOLA GUARANTEE

SAGOLA offers a **3-year guarantee** for its entire product range, that covers any design or manufacturing defect in its products. Any defect in its design will be repaired or replaced free of charge to the client.



SAGOLA SPARE PARTS SERVICE GUARANTEE

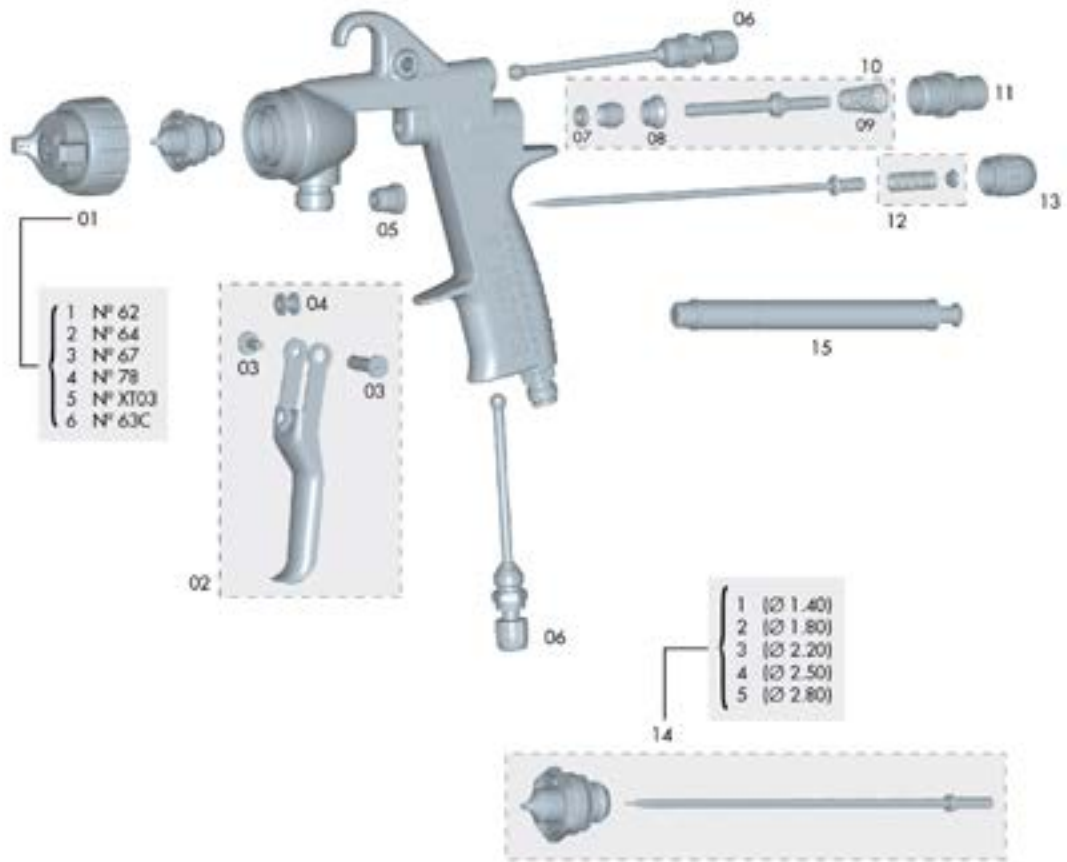
SAGOLA is synonymous with **quality and service**. For this reason SAGOLA offers comprehensive guarantee of the service of components and spare parts for the perfect maintenance of all its products, even those sold over 10 years ago.

SAGOLA 

línea **4100** XTREME CERAMIC
Presión

(*) Min. 5 u.

ed. 01



Nº	Cod.	U.
01/1	56418567	1
01/2	56418570	1
01/3	56418568	1
01/4	56418590	1
01/5	56418566	1
01/6	56418659	1

Nº	Cod.	U.
02	56418622	1
03	56418439	1
04	51910626	1
05	56411616	1
06	56415255	1
07	56418494	1

Nº	Cod.	U.
08	54110012	1
09	54710032	1
10	56418623	1
11	56411623	1
12	56410044	1
13	57810340	1

Nº	Cod.	U.
14/1	10010146	1
14/2	10010148	1
14/3	10010149	1
14/4	10010162	1
14/5	10010150	1
15	50210214	1

- Este dibujo no es la lista de materiales
- This drawing is not the bill of materials
- Ce schéma n'est pas la liste de matériaux

- Diese Zeichnung ist nicht die Stückliste
- Este desenho não é la lista de materiais
- Questo disegno non è la distinta base

4100 XTREME CERAMIC

SAGOLA
an Elcometer company

ACCESSORIES and COMPLEMENTS

Pressure Pots

Pressure Pots with maximum strength and precision regulators.

6110 NOX

Ref. 10540702

10 L. capacity. Double, high precision, robust regulators with anti-return valve. Made of stainless steel.



652 NOX Ref. 10540320

652 NOX Ref. 10540321 with pneumatic rotary agitator

652 NOX Ref. 10540321 with pneumatic alternative agitator

25 L. capacity. Manual agitator, double regulation. Top product outlet. Made of stainless steel.



PREMIUM30

Ref. 20530520

30 L. capacity. Two lower product outlets. With double handlebar, foldable for transport. Two handles for holding.



PREMIUM60

Ref. 20530620

60 L. capacity. Two lower product outlets. With double handlebar, foldable for transport. Two handles for holding.



Product hoses.

Anti-static aerographic hose for Waterborne/Solvent. 8x16 mm. F/F 3/8"

Reference	Version
56414116	6 m. 8x16mm. F/F 3/8"
56414117	11 m. 8x16mm. F/F 3/8"
56414115	16 m. 8x16mm. F/F 3/8"



Air + Product hoses. Viscous

Reference	Version
86463891	10 m. Air hose 8 mm. + Product hose 10 mm. Adhesives

Air hoses. Anti-static

Reference	Version
56414024	6 m. 8x15mm F/F 1/4"
56414025	11 m. 8x15mm F/F 1/4"
56414027	16 m. 8x15mm F/F 1/4"

Breathing mask

Mask with double charcoal filter against organic and solvent fumes.

Classic MP2

Ref. 14810201



REMEMBER, always use original SAGOLA spare parts
in order to guarantee the proper operation of your painting equipment.

4700 XTREME CERAMIC

SAGOLA ®
an Elcometer company

SAGOLA S.A. will refuse any responsibility for the damage of defects caused by spray guns with a similar appearance to the originals.

These guns are imitations that **HAVE NOT BEEN MANUFACTURED BY SAGOLA, S.A.U.**

The SAGOLA S.A.U. products are exclusively sold through our distributors, with spare parts and a 3-year worldwide guarantee against design and/or manufacturing defects.



ISO CERTIFICATES



SAGOLA S.A.U. has always displayed the quality of its products with pride, but lately, in view of its ever more demanding clients, it has obtained certifications that vouch for the guarantee of its know-how and its impeccable organisational quality.



SAGOLA, S.A.U.

Urarte, 6 · 01010 Vitoria - Gasteiz (Álava) SPAIN
Tel.: (+34) 945 214 150 · Fax: (+34) 945 214 147
e-mail: sagola@sagola.com · web: www.sagola.com