

SAGOLA PRODUCT DATA SHEET 1/2

CATEGORY

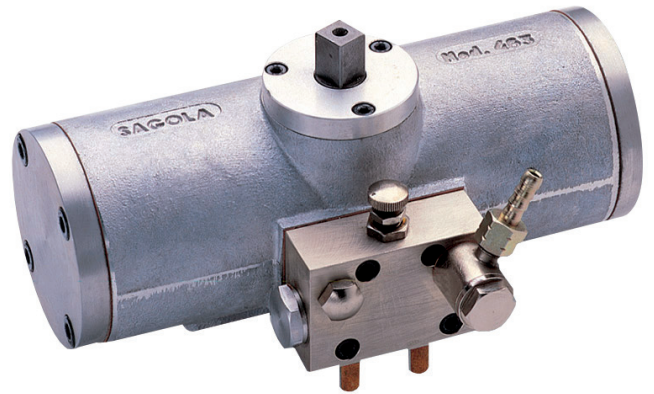
Pneumatic motor

MODEL

463

APPLICATION

Motor for product agitator



TECHNICAL DATA

Product sheet

Instruction manual

Part list

Video

Type	ALTERNATIVE
Power	4.50 Kgfm
Rotation speed	0 at 350 rpm
Speed regulator	OK
Design pressure	6 bar
Working pressure	3 - 6 bar
Operating temperature	Ambient temperature (max. 50°C)
Air inlet	1/4"x19h" BSP
Air outlet	1/8" BSP
Silencer filter	OK
Air flow at 6 bar	28 L/min
Greasing	Grease bearings
Rotating angle	180°
Dimensions	150 x 155 x 250 mm.
Weight	7.5 Kg

VERSIONS

Code	10510201
------	----------

SAGOLA PRODUCT DATA SHEET 2/2

CATEGORY

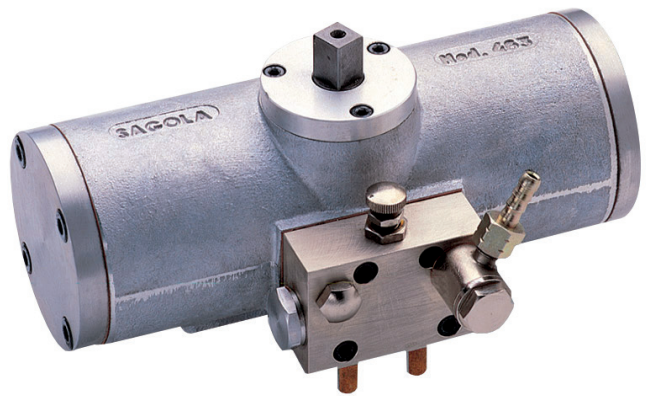
Pneumatic motor

MODEL

463

APPLICATION

Motor for product agitator



MAIN PARTS

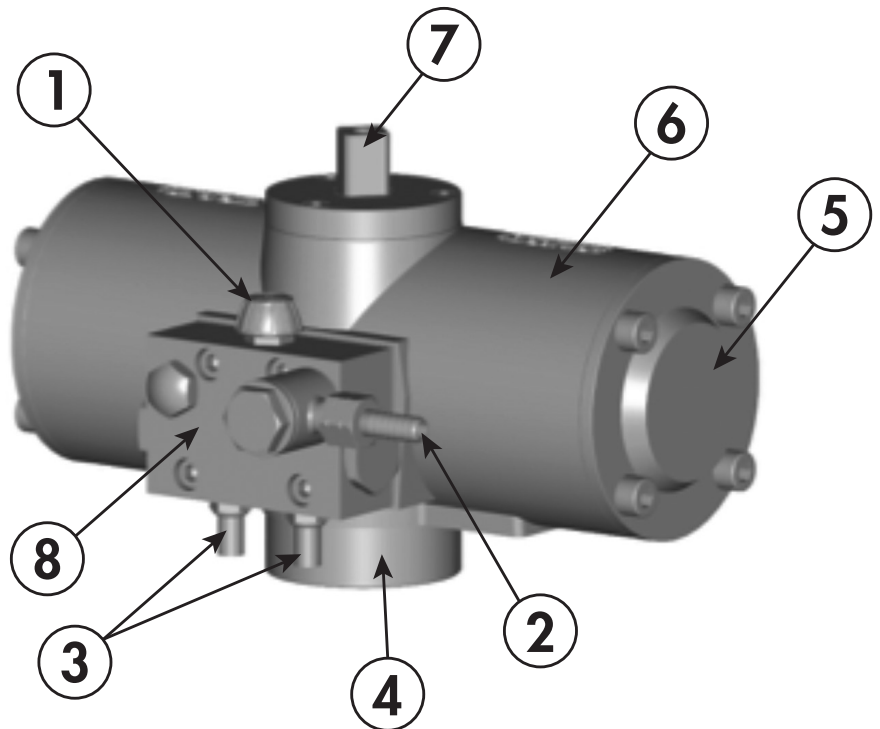
Product sheet

Instruction manual

Part list

Video

1	Rotating speed regulator
2	Air inlet
3	Air leaks
4	Motor coupling
5	Side cover
6	Engine body
7	Motor drive
8	Distributor



**More info in
www.sagola.com**

SAGOLA S.A., Urartea 6 - 01010 Vitoria-Gasteiz (Álava) SPAIN
Tel. (+34) 945 214 150 - Fax: (+34) 945 214 147 - sagola@sagola.com